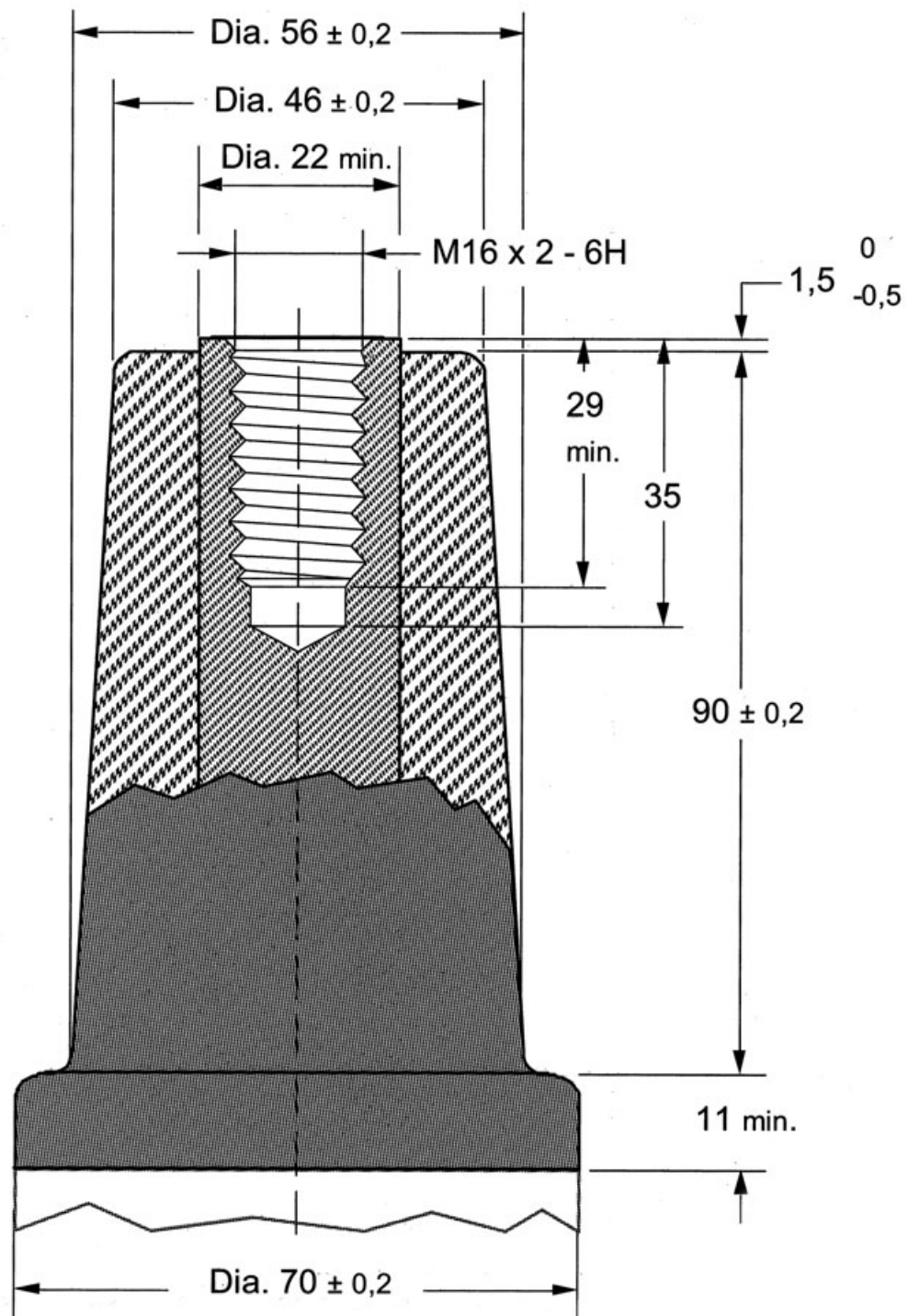
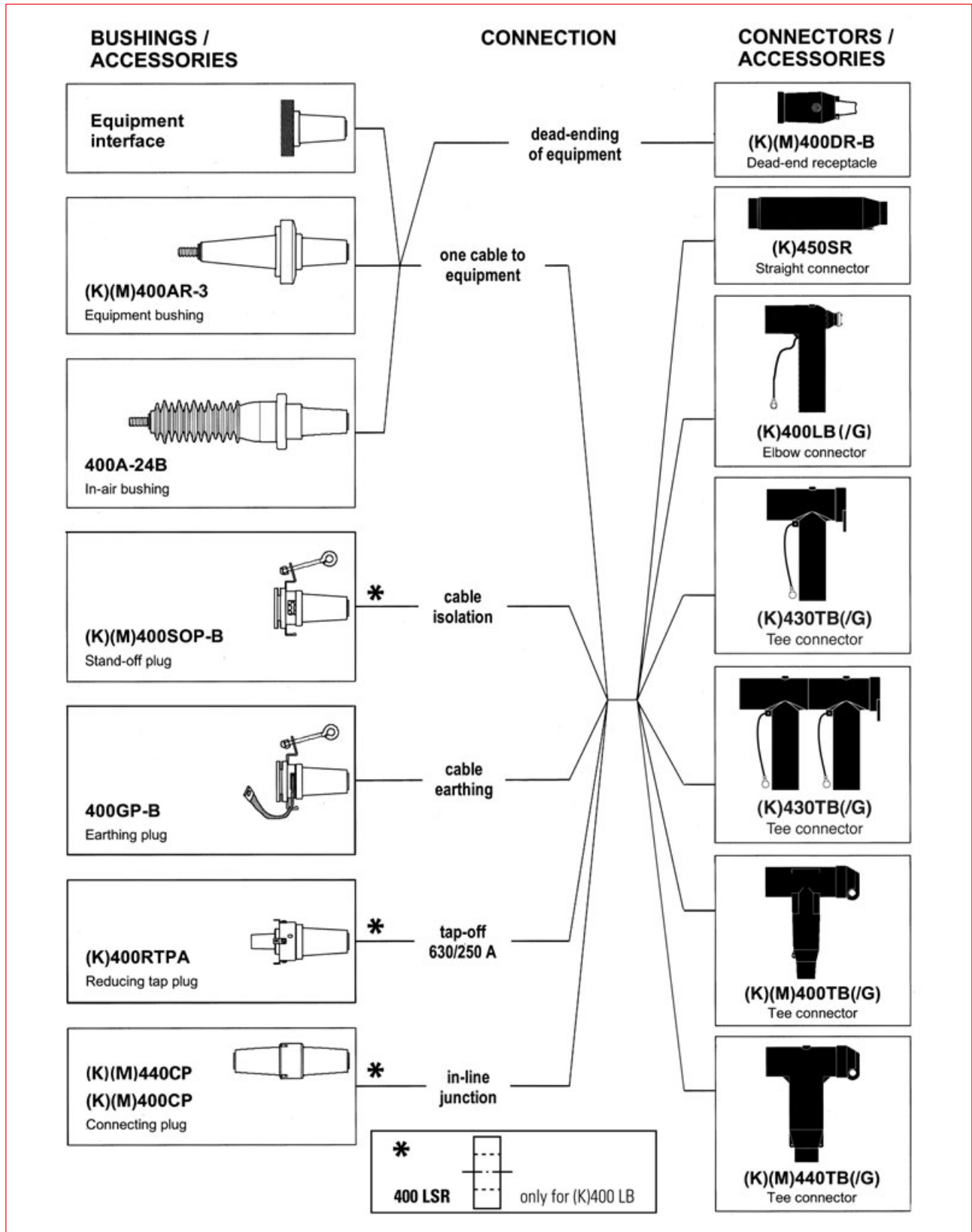


Equipment interface

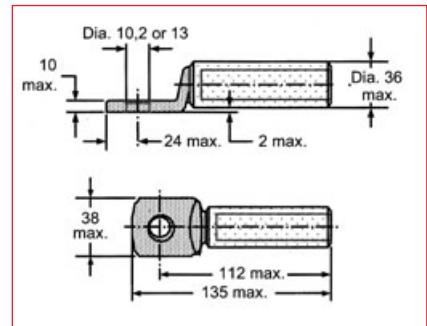
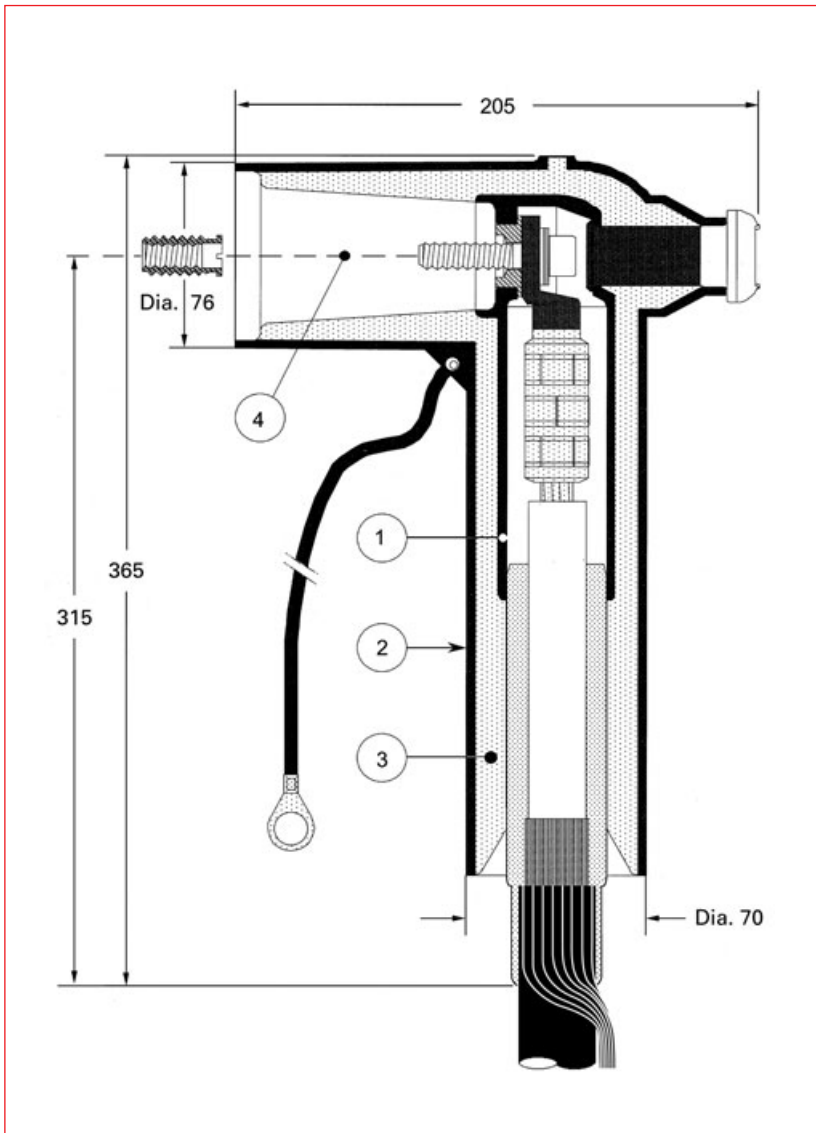


Conneting Possibilities








Elbow connector AMV-(K)400LB/G

up to 24 kV - 630 A



Ordering instructions

The complete AMV-(K)400LB/G elbow connector kit comprises the following components:

-  3 x (K)400BLB Connector housing with earth lead
- +
-  3 x 400LTS Transition contact + Screw assembly
- +
-  3 x 400LBC-X Compression lug (optional)
- +
-  3 x 400LBP Insulating plug
- +
-  3 x Cable reducer 411CA-W2
- =

AMV-(K)400LB/G-W2-X (3) connector kit*

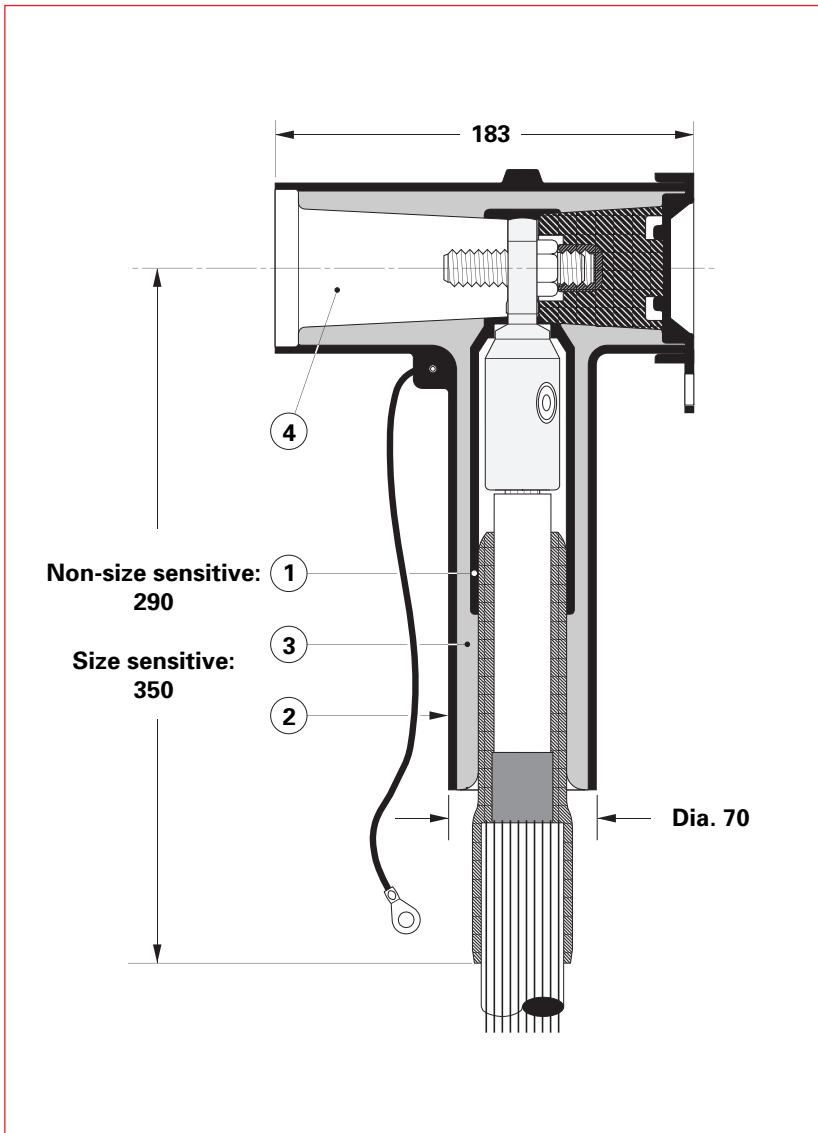
* Also comprises silicone grease, installation instructions and crimp chart.

Separable connector type	Voltage Um (kV)	Current Ir (A)	Conductor sections Al or Cu (mm ²)	
			min.	max.
AMV- 400LB/G	12	630	25	300
AMV-K400LB/G	24	630	25	300

- ① A conductive EPDM insert.
- ② A conductive EPDM jacket.
- ③ An insulating EPDM layer moulded between the insert and the jacket.
- ④ Meets the type C interface (CENELEC EN 50180 and 50181).






Tee connector AMV-(K)430TB/G

up to 24 kV - 630 A



Ordering instructions

The complete AMV-(K)430TB/G tee connector kit comprises the following components:

-  3 x Conductor contact TBC-X or TMBC-X
 - +
 -  3 x Clamping screw 430TCS
 - +
 -  3 x Basic insulating plug + cap 300BIPR
 - +
 -  3 x Connector housing 430BT-630 A
 - +
 -  3 x Cable reducer 411CA-W or 430 CA-W
 - =
- AMV-(K)430TB/G-W-X (3) connector kit*

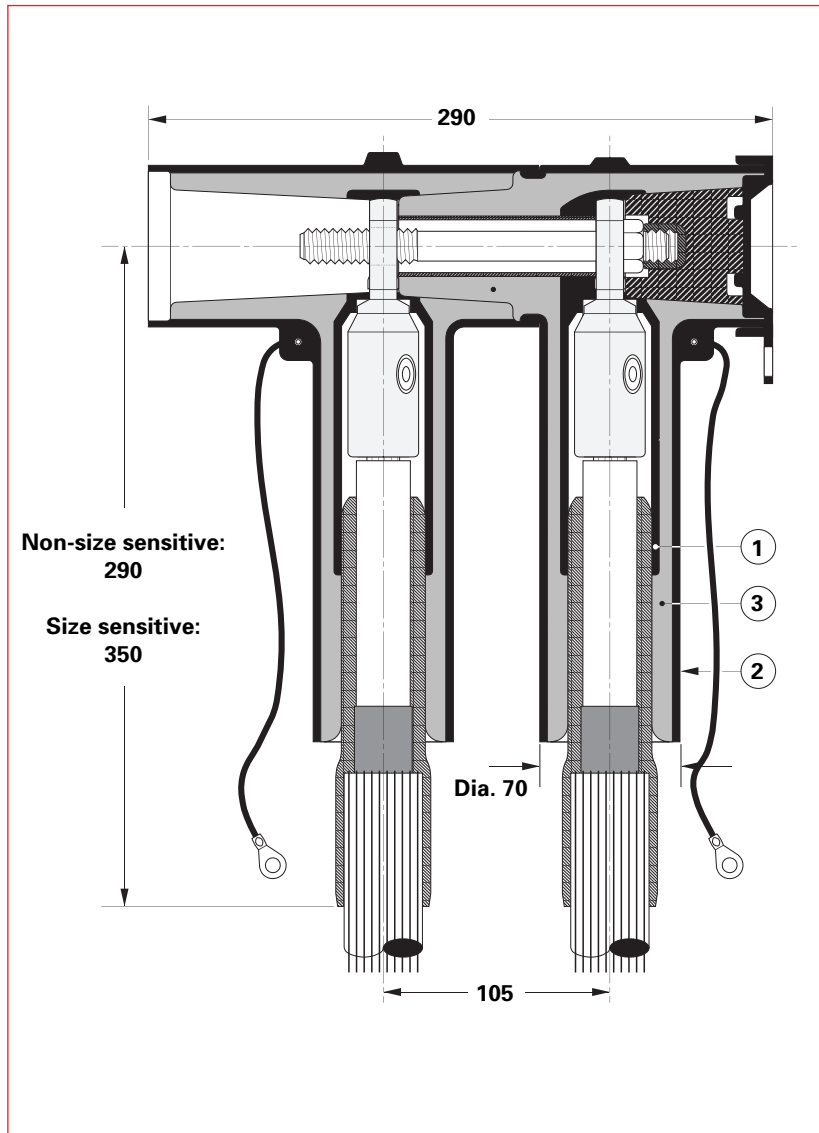
* Also comprises silicone grease, fill control mastic and installation instructions.

Separable connector type	Voltage Um (kV)	Current Ir (A)	Conductor sections Al or Cu (mm ²)	
			min.	max.
AMV- 430TB/G	12	630	35	300
AMV- K430TB/G	24	630	35	300

- ① A conductive EPDM insert.
- ② A conductive EPDM jacket.
- ③ An insulating EPDM layer moulded between the insert and the jacket.
- ④ Meets the type C interface (CENELEC EN 50180 and 50181).

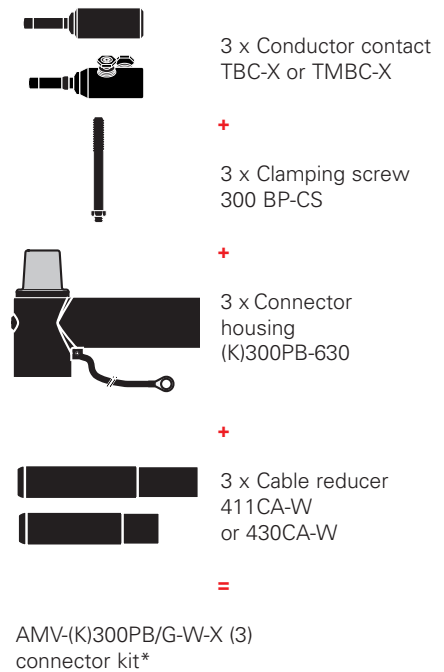
Coupling connector AMV-(K)300PB/G

up to 24 kV - 630 A



Ordering instructions

The complete 300PB/G-630A coupling connector kit comprises the following components:



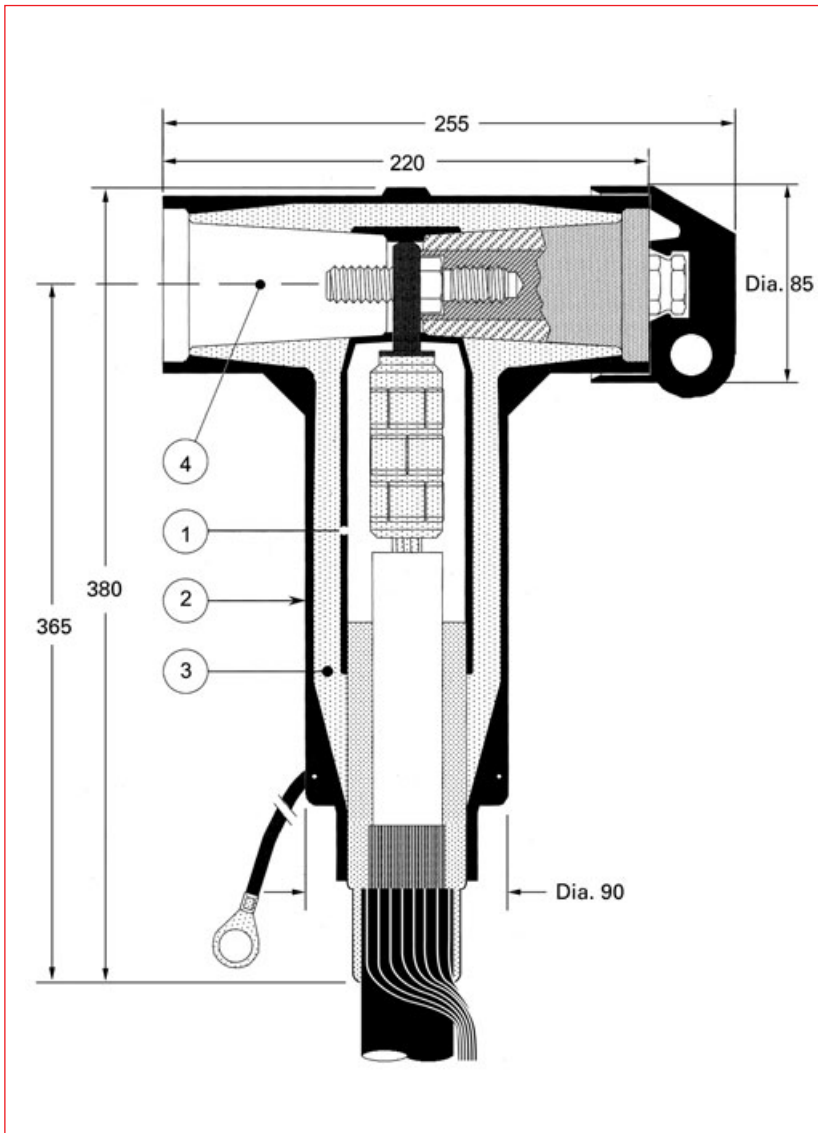
* Also comprises silicone grease, water sealing mastic, installation rod, installation instructions and crimp chart.

Separable connector type	Voltage U_m (kV)	Current I_r (A)	Conductor sections Al or Cu (mm ²)	
			min.	max.
AMV- 300PB/G	12	630	35	300
AMV- K300PB/G	24	630	35	300

- ① A conductive EPDM insert.
- ② A conductive EPDM jacket.
- ③ An insulating EPDM layer moulded between the insert and the jacket.
- ④ Interface designed to fit (K)430TB connector.






Tee connector AMV-(K)(M)440TB/G

up to 36 kV - 1250 A



Ordering instructions

The complete AMV-(K)(M)440TB/G tee connector kit comprises the following components:

-  3 x Conductor contact TBC-X
- +
-  3 x Clamping screw 400TCS
- +
-  3 x Basic insulating plug + Rubber cap (K)(M)400BIPA
- +
-  3 x Connector housing (K)(M)440BT/G
- +
-  3 x Cable reducer 611CA-W2
- =

AMV-(K)(M)440TB/G-W2-X (3) connector kit*

* Also comprises silicone grease, installation instructions and crimp chart.

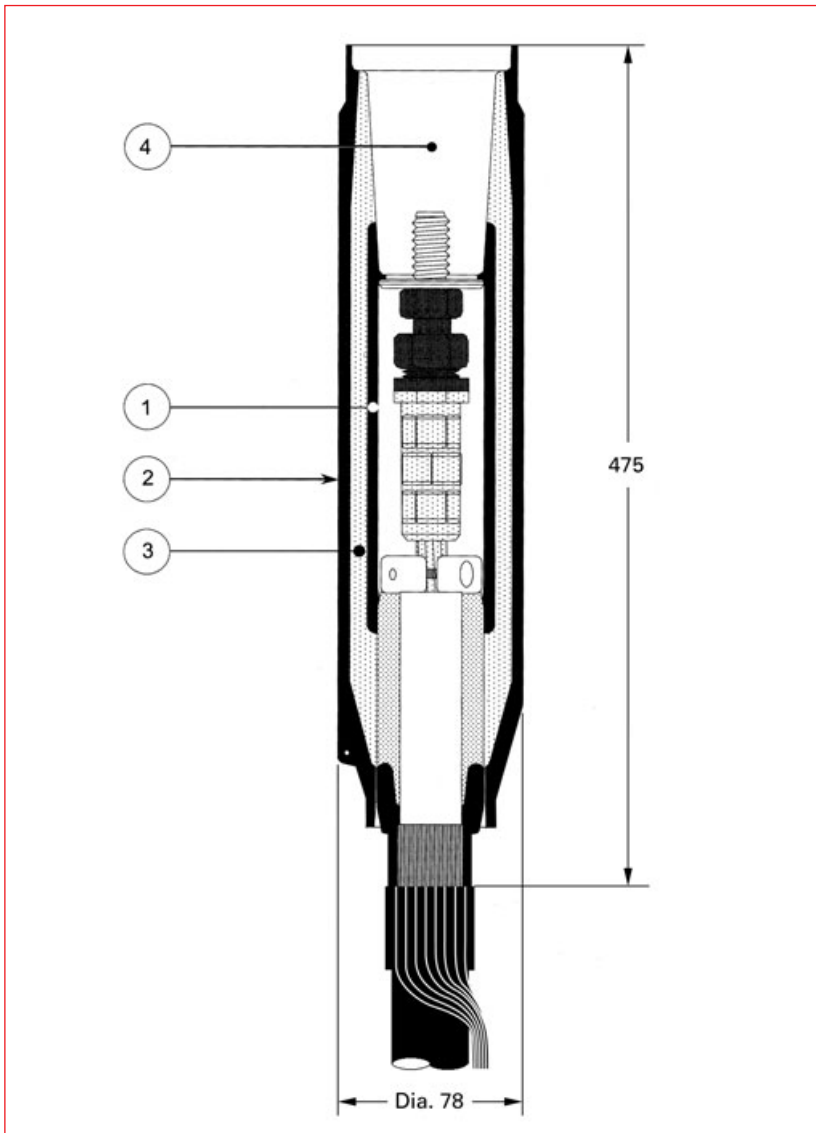
Separable connector type	Voltage Um (kV)	Current Ir (A)	Conductor sections Al or Cu (mm ²)	
			min.	max.
AMV- 440TB/G	12	630 & 1250 A*	185	630
AMV- K440TB/G	24	630 & 1250 A*	185	630
AMV-M440TB/G	36	630 & 1250 A*	185	630

(*) 1250 A continuously when installed on appropriate equipment bushing.

- ① A conductive EPDM insert.
- ② A conductive EPDM jacket.
- ③ An insulating EPDM layer moulded between the insert and the jacket.
- ④ Meets the type C interface (CENELEC EN 50180 and 50181).

Straight connector AMV-(K)450SR

up to 24 kV - 630 A

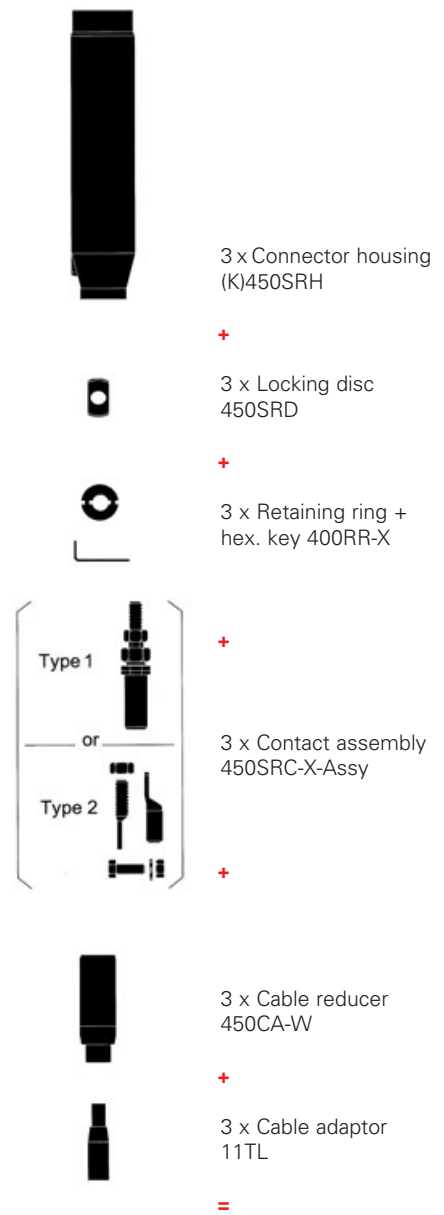


Separable connector type	Voltage Um (kV)	Current Ir (A)	Conductor sections Al or Cu (mm ²)	
			min.	max.
AMV- 450SR	12	630	50	300
AMV-K450SR	24	630	25	300

- ① A conductive EPDM insert.
- ② A conductive EPDM jacket.
- ③ An insulating EPDM layer moulded between the insert and the jacket.
- ④ Meets the type C interface (CENELEC EN 50180 and 50181).

Ordering instructions

The complete AMV-(K)450SR straight connector kit comprises the following components:



AMV-(K)450SR-W-X (3) connector kit*

* Also comprises silicone grease, installation instructions and crimp chart.