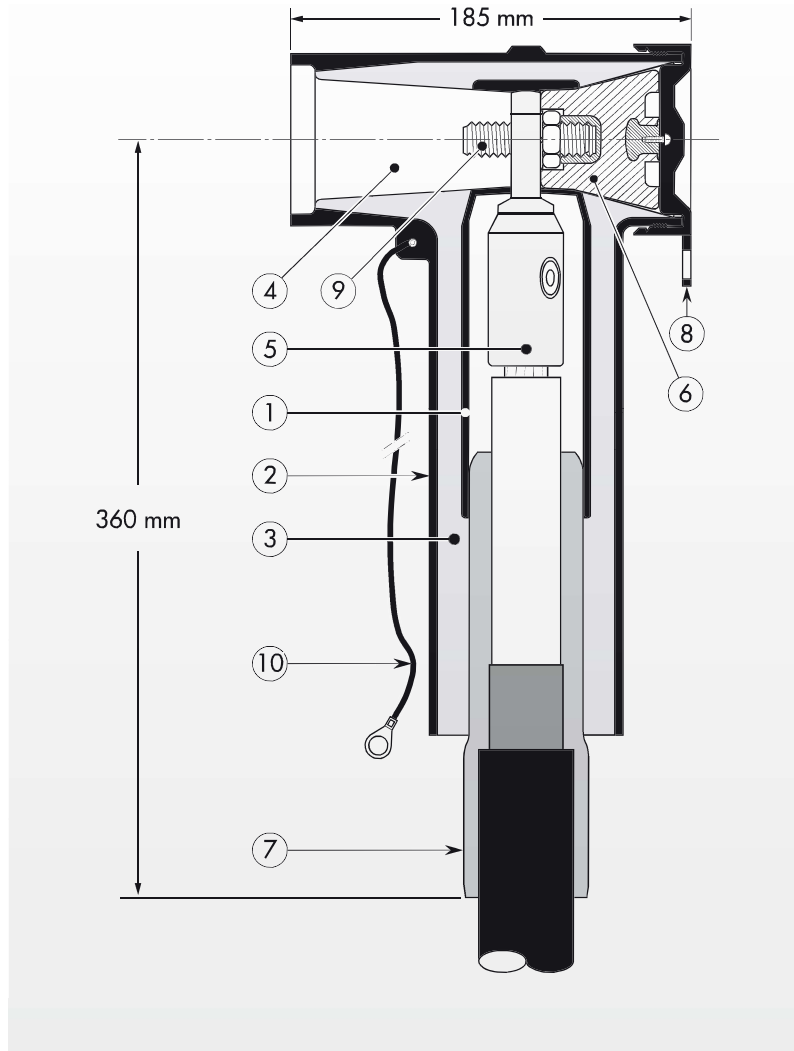


TEE CONNECTOR AMV-C (K)(M)(P) 484TB

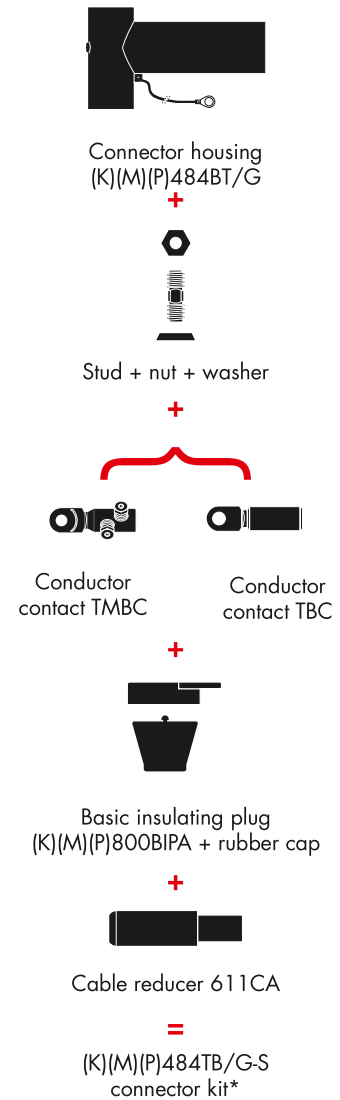
UP TO 42 KV 630 A -1250 A

AMV-C 17



Ordering instructions

The complete (K)(M)(P)484TB/G tee connector kit comprises 3x the following components:



Separable connector type	Voltage Um (kV)	Current Ir (A)	Conductor sizes (mm ²)	
			min.	max.
AMV-C-484TB/G	12	1250	50	630
AMV-C-K484TB/G	24	1250	35	630
AMV-C-M484TB/G	36	1250	35	630
AMV-C-P484TB/G	42	1250	35	630

Separable connector comprising:

- ① Conductive EPDM insert.
- ② Conductive EPDM jacket.
- ③ Insulating EPDM layer moulded between the insert and the jacket.
- ④ Type C - interface as described by CENELEC EN 50180 and 50181.
- ⑤ Conductor connector.
- ⑥ Basic insulating plug (with VD point).
- ⑦ Cable reducer.
- ⑧ Conductive rubber cap.
- ⑨ Stud+nut+washer.
- ⑩ Earthing lead.

* The kit also comprises silicone grease, field control mastic, gloves, roll adhesive tape, installation instructions and crimp chart.