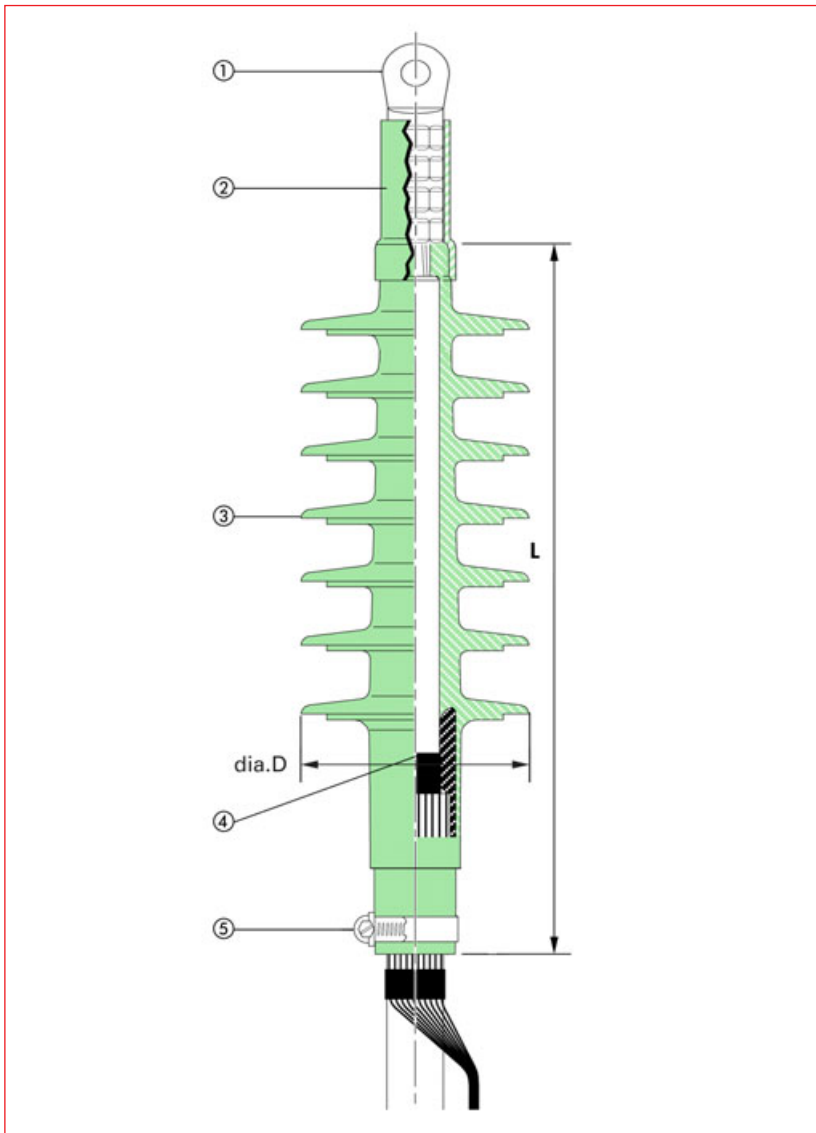
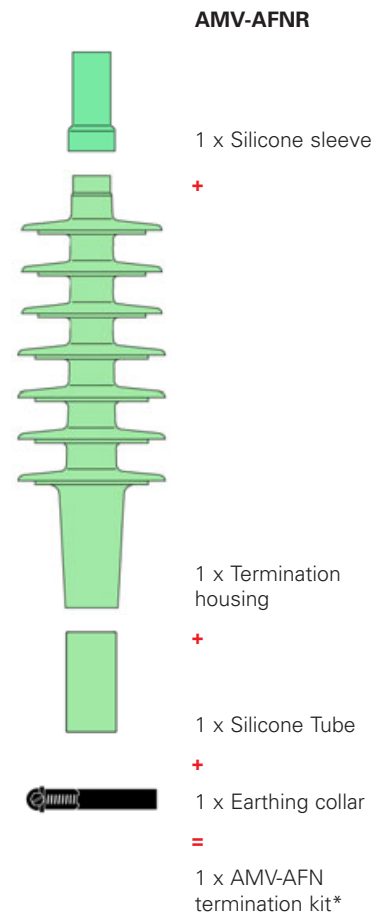


AMV-AFNR up to 42 kV



Ordering instructions

The complete AMV-AFNR termination kit comprises the following components:



* Also comprises sealing mastic and installation instructions.

Termination type	Voltage Um (kV)	Strike distance «L» (mm)	dia. D (mm)	Number of sheds	Cable coreinsulation diameter (mm)	
					min.	max.
AMV-AFNR 36-1	36	350	115	6	42.2	28.4
AMV-AFNR 36-2	36	350	115	6	27.3	37.6
AMV-AFNR 36-3	36	350	127	6	31.5	42.8
AMV-AFNR 36-4	36	370	127	7	40.0	55.0
AMV-AFNR 42-2	42	350	115	6	27.3	37.6
AMV-AFNR 42-3	42	370	127	7	31.5	42.8
AMV-AFNR 42-4	42	370	127	7	40.0	55.0

① A cable lug (not supplied in the standard kit).
 ② Silicone sleeve.
 ③ Termination housing.

④ Stress control mastic.
 ⑤ Earthing collar.