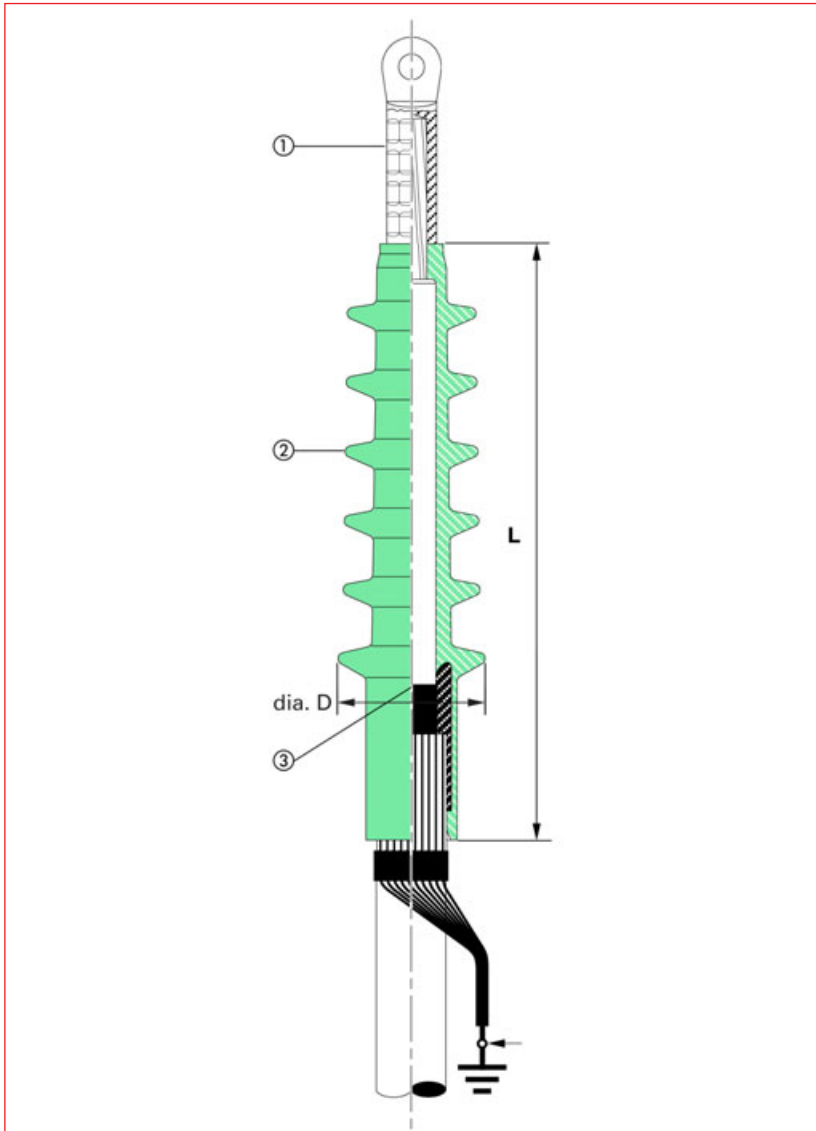
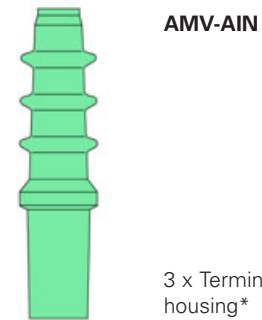


AMV-AIN up to 36 kV



Ordering instructions

The complete AMV-AIN termination kit comprises the following components:

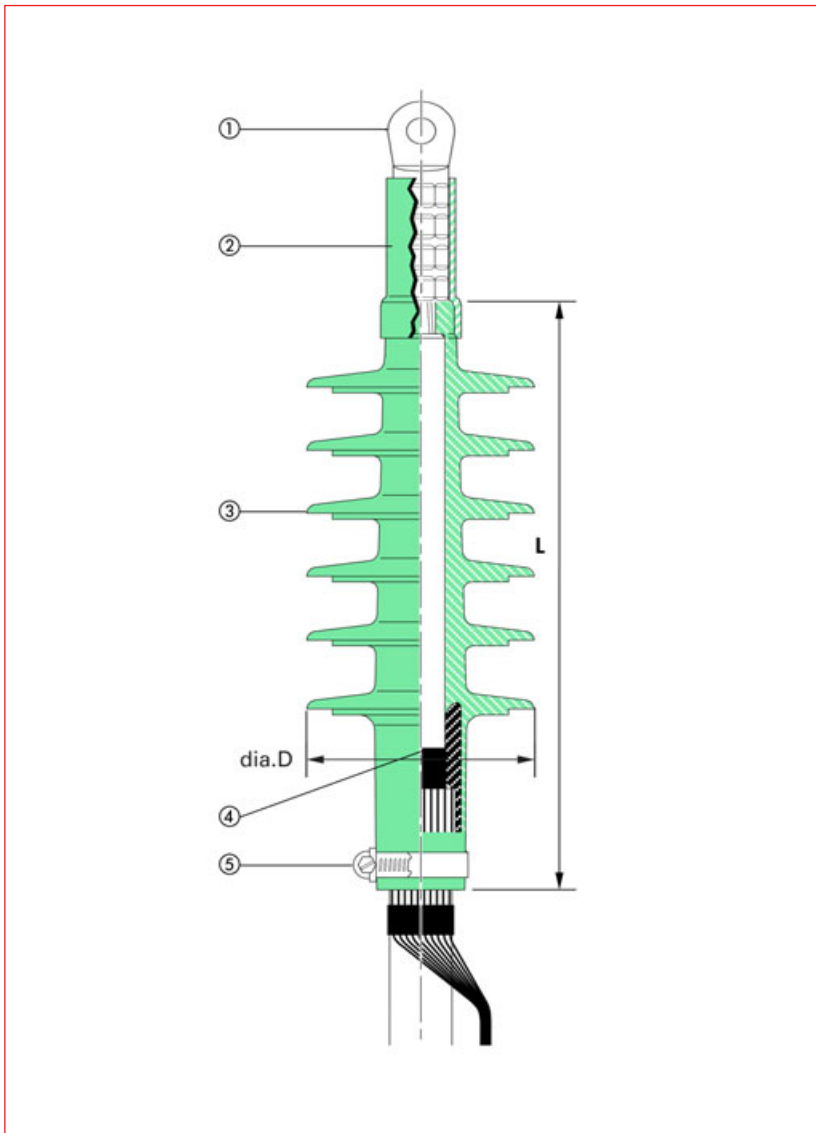


* Also comprises sealing mastic and installation instructions.

Termination type	Voltage Um (kV)	Strike distance «L» (mm)	dia. D (mm)	Number of sheds	Cable core insulation diameter (mm)		Conductor sections cross section (mm ²) for information only		
					min.	max.	12 kV	24 kV	36 kV
AMV-AIN 24-1	24	225	47	3	19.6	23.4	95 – 120	25 – 70	
AMV-AIN 24-2	24	225	56	3	23.0	32.6	150 – 400	95 – 240	
AMV-AIN 24-3	24	225	62	3	31.6	43.5	500 – 800	300 – 630	
AMV-AIN 24-4	24	330	127	7	40.0	55.0		500 – 1200	
AMV-AIN 36-1	36	302	74	6	24.2	28.4			35 – 70
AMV-AIN 36-2	36	302	74	6	27.3	37.6			95 – 240
AMV-AIN 36-3	36	302	81	6	31.5	42.8			240 – 400
AMV-AIN 36-4	36	330	127	7	40.0	55.0			400 – 1000

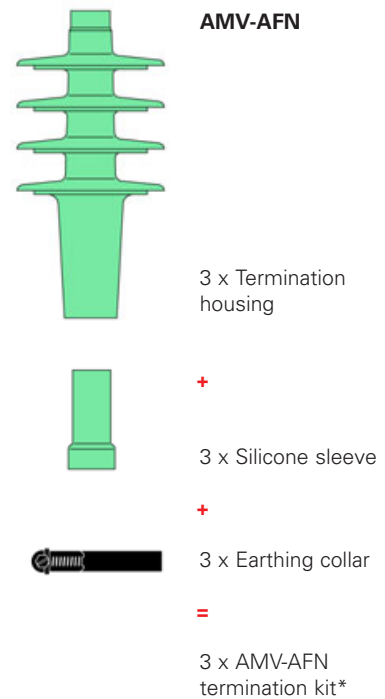
- ① A cable lug (not supplied in the standard kit).
- ② Termination housing.
- ③ Control mastic.

AMV-AFN up to 36 kV



Ordering instructions

The complete AMV-AFN termination kit comprises the following components:



* Also comprises sealing mastic and installation instructions.

Termination type	Voltage Um (kV)	Strike distance «L» (mm)	dia. D (mm)	Number of sheds	Cable core insulation diameter (mm)		Conductor sections cross section (mm ²) for information only		
					min.	max.	12 kV	24 kV	36 kV
AMV-AFN 24-1	24	236	100	4	19.6	23.4	95 – 120	25 – 70	
AMV-AFN 24-2	24	236	112	4	23.0	32.6	150 – 400	95 – 240	
AMV-AFN 24-3	24	236	118	4	31.6	43.5	500 – 800	300 – 630	
AMV-AFN 24-4	24	330	127	7	40.0	55.0		500 – 1200	
AMV-AFN 36-1	36	300	115	6	24.2	28.4			35 – 70
AMV-AFN 36-2	36	300	115	6	27.3	37.6			95 – 240
AMV-AFN 36-3	36	300	127	6	31.5	42.8			240 – 400
AMV-AFN 36-4	36	330	127	7	40.0	55.0			400 – 1000

① A cable lug (not supplied in the standard kit).
 ② Silicone sleeve.
 ③ Termination housing.

④ Stress control mastic.
 ⑤ Earthing collar.